

HELI

LPG PNEUMATIC TIRE FORKLIFT

- GM ENGINE
- IMPCO LPG CONVERTER
- CLOSED-LOOP ELECTRONIC EMISSION CONTROL SYSTEM
- DIAGNOSTIC MEMORY
- MALFUNCTION DASH DISPLAY
- EPA CERTIFIED



4,000~7,000 Lbs

CPYD20
CPYD25
CPYD30
CPYD35



www.HeliForkliftUSA.com

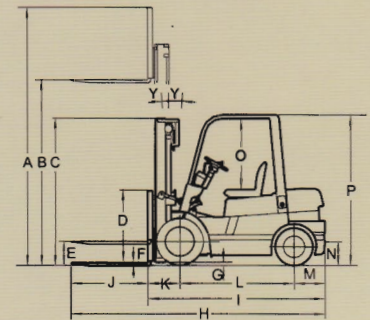
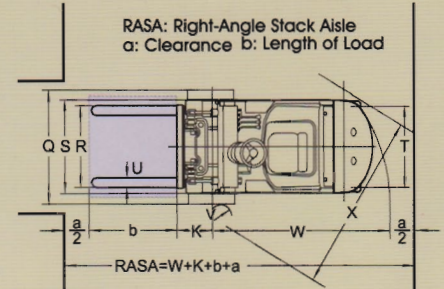
MANUFACTURER: **ANHUI HELI CO., LTD.**

DISTRIBUTOR: SOUTHWEST EQUIPMENT SALES • 4105 GLOBEVILLE ROAD, DENVER, CO 80216
TEL: 888-NEW-HELI (639-4354) • FAX: 303-468-9901



SPECIFICATIONS

Manufacturer		HELI				
Model		CPYD20	CPYD25	CPYD30	CPYD35	
Load Capacity	lbs	4,000	5,000	6,000	7,000	
Load Center	in	24	24	24	24	
Lifting Speed (Without/With load)	fpm	118/108	118/108	92/88	73/65	
Max. Travel Speed	mph	11.8	11.8	11.8	11.8	
Overall Height Forks Raised	A	in	158.7	158.7	167.3	167.3
Max. Fork Height	B	in	118	118	118	118
Overall Height Upright Lowerad	C	in	78.5	78.5	81.5	85.8
Free Lift	E	in	6.1	6.1	6.3	12
Overall Length (With Forks)	H	in	139.8	142.5	147.4	148.2
Overall Length (Without Forks)	I	in	97.6	100.4	105.3	106.1
Min. Ground Clearance	G	in	4.3	4.3	5.5	5.3
Overhang (Front/Rear)	K/M	in	17.7/17	17.7/19.7	18.7/19.7	19.5/19.7
Wheel Base	L	in	63	63	67	67
Overall Height (With Overhead Guard)	P	in	81.5	81.5	82.3	82.3
Overall Width	Q	in	45.3	45.3	48.2	48.2
Opening Of Forks	R	in	9.6-40.2	9.6-40.2	9.8-41.7	9.8-41.7
Tread (Front/Rear)	S/T	in	38.2/38.2	38.2/38.2	39.4/38.2	39.4/38.2
Min. Turning Radius (Outside)	W	in	85.4	88.2	94.5	95.3
Min. Intersecting Aisle	X	in	75.6	79.1	83.1	83.1
Fork Size	J/U/F	in	42/4.8/1.57		42/5/1.77	42/5.9/1.97
Max. Drawbar Pull (Without/With Load)	lbs	1,874/3,667	1,998/3,667	2,205/3,487	2,250/3,487	
Tilt Angle (F/B)	deg	6° -12°				
Max. Gradeability (With Load)	%	38	34	28	24	
Engine Model	GM 3.0 (LPG)					
Compression Ratio	8.2:1					
Rated Horsepower	hp/rpm	61.5/2800				
Rated Torque	lb ft/rpm	141/1400-1600				
Battery Voltage /Capacity	V/Ah	12/60				
Tires (Front)		7.00-12-12PR		28X9-15-12PR		
Tires (Rear)		6.00-9-10PR		6.50-10-10PR		
Total Weight	lbs	7,510	8,300	9,620	10,790	



For Your Safety

Before operating a lift truck, an operator must:

- *Be trained and authorized
- *Read and understand the operator's manual
- *Not operate a faulty lift truck
- *Not repair a lift truck unless trained and authorized
- *Have the overhead guard and load backrest extension in place

During operation, a lift truck operator must:

- *Wear a seat belt
- *Keep entire body inside truck cab
- *Never carry passengers or lift people
- *Keep truck away from people and obstructions
- *Travel with lift mechanism as low as possible and tilted back

To park a lift truck, an operator must:

- *Completely lower forks or attachments
- *Shift into neutral
- *Turn key off
- *Set parking brake



CE Certification



ISO9001 Certification



**Southwest
Equipment
Sales**

HELI DISTRIBUTOR FOR WESTERN USA