

# 7FGU15 7FDU15

## MAIN VEHICLE SPECIFICATIONS

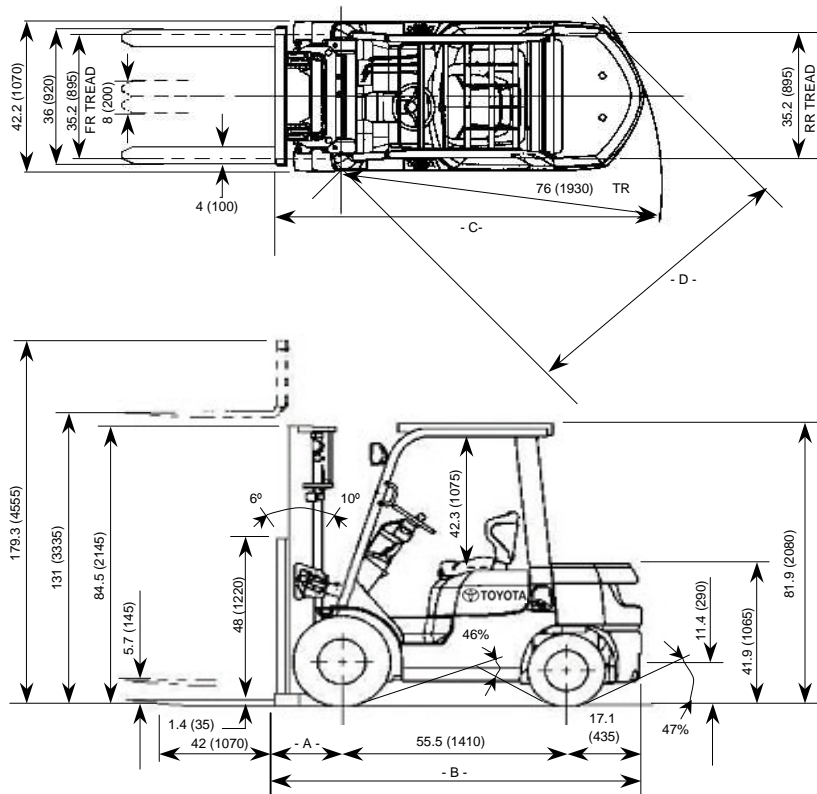
1	Manufacturer			TOYOTA	TOYOTA
2	Model			7FGU15	7FDU15
3	Load Capacity			3000 (1350)	3000 (1350)
4	Load Center			24 (600)	24 (600)
5	Power Type			Gasoline	Diesel
6	Operator Position			Rider Seated	Rider Seated
7	Tire Type			Pneumatic	Pneumatic
8	Wheels (x = driven)			2x / 2	2x / 2
9	Maximum Fork Height (MFH) (Top of Forks)			131 (3335)	131 (3335)
10	Free Lift (Top of Forks)			5.7 (145)	5.7 (145)
13	Fork Size			1.4 x 4 x 42 (35 x 100 x 1070)	1.4 x 4 x 42 (35 x 100 x 1070)
	Fork Spread (Outer Edge to Edge)			36 (920) / 8 (200)	36 (920) / 8 (200)
14	Tilt Range			6° / 10°	6° / 10°
15	Length to Fork Face			88.4 (2245)	88.4 (2245)
16	Overall Width			42.2 (1070)	42.2 (1070)
17	Mast Lowered Height			84.5 (2145)	84.5 (2145)
18	Mast Extended Height (Top of Load Backrest)			179.3 (4555)	179.3 (4555)
19	Overhead Guard Height			81.9 (2080)	81.9 (2080)
21	Turning Radius (Outside)			76 (1930)	76 (1930)
22	Load Distance (Centerline of front axle to front face of forks)			15.8 (400)	15.8 (400)
	Rear Overhang			17.1 (435)	17.1 (435)
23	Basic Right Angle Stacking Aisle Width (Add load length and clearance)			92 (2330)	92 (2330)
24	Travel, Max. (FWD/RVS)	Full Load	mph (km/h)	11.5 (18.5) / 11.5 (18.5)	11.8 (19.0) / 11.8 (19.0)
		No Load	mph (km/h)	11.8 (19.0) / 11.8 (19.0)	12.1 (19.5) / 12.1 (19.5)
25	Lifting	Full Load	fpm (mm/sec)	118 (600)	128 (650)
		No Load	fpm (mm/sec)	124 (640)	132 (670)
26	Lowering	Full Load	fpm (mm/sec)	98 (500)	98 (500)
		No Load	fpm (mm/sec)	108 (550)	108 (550)
28	Max. Drawbar Pull	Full Load	lb (kg) <N>	3950 (1800) <17500>	3950 (1800) <17500>
		No Load	lb (kg) <N>	1450 (650) <6300>	1450 (650) <6300>
29	Gradeability at 1 mph (1.5 km/h) <sup>1</sup>			41	42
30	Max. Gradeability <sup>1</sup>	Full Load	%	45	45
		No Load	%	22	22
32	Total Weight			5870 (2660)	6020 (2730)
33	Weight	Full Load	Front	7800 (3510)	7860 (3540)
		Rear	1070 (500)	1160 (540)	
34	Distribution	No Load	Front	2650 (1200)	2710 (1230)
		Rear	3220 (1460)	3310 (1500)	
35	Number			2 / 2	2 / 2
36	Tires	Front		6.50-10-10PR(1)	6.50-10-10PR(1)
37		Rear		5.00-8-8PR(1)	5.00-8-8PR(1)
38	Wheelbase			55.5 (1410)	55.5 (1410)
39	Tread	Front	in (mm)	35.2 (895)	35.2 (895)
		Rear	in (mm)	35.2 (895)	35.2 (895)
40	Underclearance	Min. with Load	in (mm)	3.9 (100)	3.9 (100)
41		Center of Wheelbase	in (mm)	5.5 (140)	5.5 (140)
42	Brake	Service (Foot)		Hydraulic	Hydraulic
43		Parking (Hand)		Hand	Hand
45	Battery			12 / 48	12 / 55
49	Make/Model			TOYOTA 4Y	TOYOTA 1DZ-II
50	Internal Combustion Engine	Rated Horsepower @ r.p.m. <sup>1</sup>	SAE HP (kW)	47 @ 2300 Net (35 @ 2300)	54 @ 2400 Net (40 @ 2400)
51		Rated Torque @ r.p.m. <sup>1</sup>	SAE ft-lb (N-m)	118 @ 1800 Net (160 @ 1800)	123 @ 1600 Net (166 @ 1600)
52	Number of Cylinders			4	4
	Piston Displacement			136 (2237)	152 (2486)
	Fuel Tank Capacity			11.9 (45)	11.9 (45)
55	Transmission			Powershift	Powershift
	Speeds			1 / 1	1 / 1
57	Hydraulic System (For Attachments)	Pressure	psi (kg/cm2) <MPs>	2275 (160) <15.7>	2275 (160) <15.7>
		Flow	gpm	17	17

NOTE: <sup>1</sup> Computed Values. Performance of LPG fuel system may be less than that of standard model shown

<sup>2</sup> Values taken at Hydraulic Control Valve. Does not take into consideration losses through mast plumbing (hosing, fittings, QDs, etc.)

### DIMENSIONAL DRAWING 7FGU/7FDU15

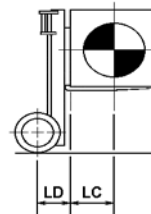
Unit: in (mm)



### VARIABLE DIMENSIONS

	V & FV	FSV
A: Load Distance	15.8	16.7
B: Length to Fork Face	88.4	89.3
C: Basic Right Angle Stacking	92	---
D: Intersecting Aisle Width	72.1	72.4

### RATED CAPACITY 7FGU/7FDU15



PC = Published Maximum Fork Height (MFH) Capacity @ 24" Load Center (lbs.)  
 LC = Desired Load Center (in.)  
 LD = Load Distance (in.) (Reference Chart Below)  
 W = Capacity at LC (lbs.)

	Load Distance (LD)
V	15.8 in.
FV	15.8 in.
FSV	16.7 in.

$$W^* = PC \times \left( \frac{LD + 24}{LD + LC} \right)$$

\*Should W calculate to a value greater than 3,000 lbs., then maximum capacity at the desired load center is no greater than 3,000 lbs. This calculation has been provided for estimation purposes ONLY. For official rated capacity values, please submit capacity requests through the Toyota Dealer Portal. (All capacities based on standard forks)

\* Contact Factory for Tilt Limit Specifications

### I.T.A. CARRIAGE CLASS . . . . . II

#### UNDERCLEARANCE

Mast . . . . .	4.8 (120)
Drive Axle . . . . .	4.8 (120)
Steer Axle . . . . .	5.0 (130)
Center of Wheelbase . . . . .	5.5 (140)
Counterweight . . . . .	4.8 (120)

### WHEEL & TIRE CONFIGURATIONS

	Drive Wheel & Tire			Steer Wheel & Tire		
	STANDARD CONFIGURATION	Wide Tread (G00A)	Front Solid Tires (F02B)	Standard Rear Tires	Rear Solid Tires (F42B)*	Side Ring Rear Wheel (F60A)
Tire Size	6.50-10-10PR (I)	6.50-10-10PR (I)	6.50-10	5.70/5.00-8-8PR (I)	5.00-8	---
Wheel Size	10x5.00F (Slide Ring)	10x5.00F (Slide Ring)	10x5.00F (Slide Ring)	8x3.00D (Divided)	8x3.00D (Divided)	8x3.00D (Slide Ring)
Overall Width	42.2 (1070)	46 (1170)	42.2 (1070)	---	---	---
Tread	35.2 (895)	39.2 (995)	35.2 (895)	35.2 (895)	35.2 (895)	---

\* NOTE: Recommend that F60A Rear Slide Ring Wheels are also ordered

### SPECIAL MAST

Wide Visible Full-Free Lift Two-Stage Mast (FV),  
 Wide Visible Full-Free Lift Three-Stage Mast (FSV)

Model	7FGU15	7FDU15	7FGU15	7FDU15			
Type of Mast	FV		FSV				
<b>PERFORMANCE</b>							
Speeds	Lifting	Full Load	fpm (mm/sec)	106 (540)	110 (560)	108 (550)	122 (620)
		No Load	fpm (mm/sec)	118 (600)	118 (600)	120 (610)	128 (650)
	Lowering	Full Load	fpm (mm/sec)	94 (480)	94 (480)	94 (480)	94 (480)
		No Load	fpm (mm/sec)	83 (420)	83 (420)	89 (450)	89 (450)

## MAST SPECIFICATIONS & RATED CAPACITIES

Wide Visible Mast (V), Wide Visible Full-Free Lift Two-Stage Mast (FV), Wide Visible Full-Free Lift Three Stage Mast (FSV)

Mast Type	Maximum Fork Height (top of forks)	Overall Height			Free Lift		Single Tire				Dual Tire		
		Lowered	Extended		Without Load Backrest	With Standard Load Backrest	Tilt Range		Load Capacity at 24 in. (600mm) LC		Tilt Range		Load Capacity at 24 in. (600mm) LC
			Without Load Backrest	With Standard Load Backrest					Standard Tread	Wide Tread			
		in (mm)	in (mm)	in (mm)	in (mm)	in (mm)	in (mm)	FWD	BWD	lb (kg)	lb (kg)	FWD	BWD
V	80 (2035)	58.9 (1495)	102.6 (2605)	128.1 (3255)	5.7 (145)	5.7 (145)	6	10	3000 (1350)	3000 (1350)	-	-	-
	99.5 (2535)	68.7 (1745)	122.2 (3105)	147.8 (3755)	5.7 (145)	5.7 (145)	6	10	3000 (1350)	3000 (1350)	-	-	-
	107.5 (2735)	72.6 (1845)	130.1 (3305)	155.7 (3955)	5.7 (145)	5.7 (145)	6	10	3000 (1350)	3000 (1350)	-	-	-
	119 (3035)	78.5 (1995)	141.9 (3605)	167.5 (4255)	5.7 (145)	5.7 (145)	6	10	3000 (1350)	3000 (1350)	-	-	-
	131 (3335)	84.5 (2145)	153.7 (3905)	179.3 (4555)	5.7 (145)	5.7 (145)	6	10	3000 (1350)	3000 (1350)	-	-	-
	139 (3535)	88.4 (2245)	161.6 (4105)	187.2 (4755)	5.7 (145)	5.7 (145)	6	10	3000 (1350)	3000 (1350)	-	-	-
	147 (3735)	94.7 (2405)	169.5 (4305)	195.1 (4955)	5.7 (145)	5.7 (145)	6	10	3000 (1350)	3000 (1350)	-	-	-
	158.5 (4035)	102.2 (2595)	181.3 (4605)	206.9 (5255)	5.7 (145)	5.7 (145)	6	10	3000 (1350)	3000 (1350)	-	-	-
	178.5 (4535)	112 (2845)	201 (5105)	226.6 (5755)	5.7 (145)	5.7 (145)	6	6	3000 (1350)	3000 (1350)	-	-	-
198 (5035)	121.9 (3095)	220.7 (5605)	246.3 (6255)	5.7 (145)	5.7 (145)	6	6	2800 (1250)	2950 (1300)	-	-	-	
FV	80 (2035)	58.9 (1495)	101 (2565)	128.1 (3255)	36.6 (930)	10.9 (275)	6	6	3000 (1350)	3000 (1350)	-	-	-
	99.5 (2535)	68.7 (1745)	120.7 (3065)	147.8 (3755)	46.5 (1180)	20.7 (625)	6	10	3000 (1350)	3000 (1350)	-	-	-
	107.5 (2735)	72.6 (1845)	128.5 (3265)	155.7 (3955)	50.4 (1280)	24.6 (625)	6	10	3000 (1350)	3000 (1350)	-	-	-
	119 (3035)	78.5 (1995)	140.4 (3565)	167.5 (4255)	56.3 (1430)	30.5 (775)	6	10	3000 (1350)	3000 (1350)	-	-	-
	131 (3335)	84.5 (2145)	152.2 (3865)	179.3 (4555)	62.2 (1580)	36.4 (925)	6	10	3000 (1350)	3000 (1350)	-	-	-
	139 (3535)	88.4 (2245)	160 (4065)	187.2 (4755)	66.1 (1680)	40.4 (1025)	6	10	3000 (1350)	3000 (1350)	-	-	-
	147 (3735)	94.7 (2405)	167.9 (4265)	195.1 (4955)	72.4 (1840)	46.7 (1185)	6	10	3000 (1350)	3000 (1350)	-	-	-
158.5 (4035)	102.2 (2595)	179.7 (4565)	206.9 (5255)	79.9 (2030)	54.2 (1375)	6	10	3000 (1350)	3000 (1350)	-	-	-	
FSV	147 (3735)	70.7 (1795)	166.9 (4240)	195.1 (4955)	50.2 (1275)	22.7 (575)	6	6	2850 (1300)	2850 (1300)	-	-	-
	158.5 (4035)	74.6 (1895)	178.7 (4540)	206.9 (5255)	54.1 (1375)	26.6 (675)	6	6	2850 (1300)	2850 (1300)	-	-	-
	170.5 (4335)	78.5 (1995)	190.6 (4840)	218.7 (5555)	58.1 (1475)	30.5 (775)	6	6	2800 (1250)	2850 (1300)	-	-	-
	189 (4800)	84.5 (2145)	208.5 (5295)	236.6 (6010)	64 (1625)	36.4 (915)	6	6	2750 (1250)	2800 (1250)	-	-	-
	198 (5035)	88.4 (2245)	218.1 (5540)	246.3 (6255)	67.9 (1725)	40.4 (1015)	6	6	2650 (1200)	2750 (1250)	-	-	-
	217.5 (5535)	94.7 (2405)	237.8 (6040)	265.9 (6755)	74.2 (1885)	46.7 (1185)	6	6	2050 (950)	2200 (1000)	-	-	-
237.5 (6035)	102.2 (2595)	257.5 (6540)	285.6 (7255)	81.7 (2075)	54.2 (1375)	6	6	1500 (700)	1650 (750)	-	-	-	

Note: Height of standard load backrest is 48 in. (1220 mm)

Attachment capacities (including sideshifters) located in *Section 6.1 - Lifting Capacities For Options*.