



Built to perform...built to last.

The **ALL NEW**  
STÄRKE ELITE

CE ISO 9001



Stärke Material Handling Group  
Tel: 905.227.7554  
Fax: 905.227.2072  
[www.StarkeForklifts.com](http://www.StarkeForklifts.com)  
email: [info@starkeforklifts.com](mailto:info@starkeforklifts.com)



The  
**ALL NEW**  
STÄRKE ELITE

*Beautifully designed with sleek, powerful lines and industry-leading technology.*

The all new Stärke Elite brings efficiency, great visibility, a rock-solid build and, yes, good looks, to your facility.

*Who says you can't have it all?*



ALL NEW

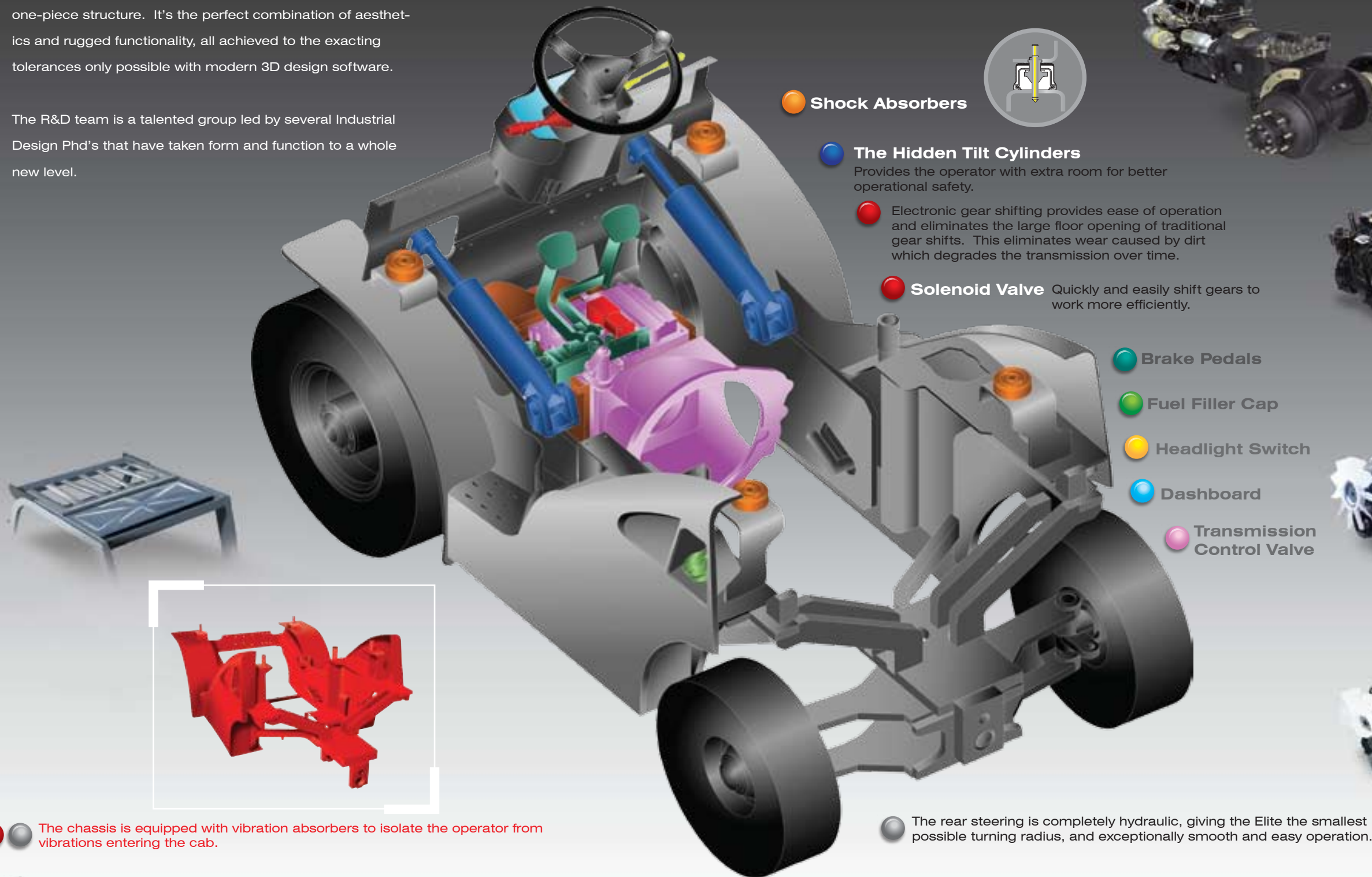
# STÄRKE ELITE



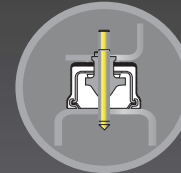
The Stärke Elite is loaded with **safety, comfort and efficiency** features!

We built the Stärke Elite like a sports car, starting with a one-piece structure. It's the perfect combination of aesthetics and rugged functionality, all achieved to the exacting tolerances only possible with modern 3D design software.

The R&D team is a talented group led by several Industrial Design Phd's that have taken form and function to a whole new level.



### Shock Absorbers



### The Hidden Tilt Cylinders

Provides the operator with extra room for better operational safety.

Electronic gear shifting provides ease of operation and eliminates the large floor opening of traditional gear shifts. This eliminates wear caused by dirt which degrades the transmission over time.

**Solenoid Valve** Quickly and easily shift gears to work more efficiently.

Brake Pedals

Fuel Filler Cap

Headlight Switch

Dashboard

Transmission Control Valve

The chassis is equipped with vibration absorbers to isolate the operator from vibrations entering the cab.

The rear steering is completely hydraulic, giving the Elite the smallest possible turning radius, and exceptionally smooth and easy operation.

WideView mast: we've designed the oil pressure cylinder and chain to maximize the operator's front view, improving safety and efficiency.

## Unique Design Features

### Transmission



The transmission has a built-in oil pump, gears and differential ring, giving it exceptionally low noise, long life and low maintenance. Just what you'd expect in a forklift of this quality.

### Engine Specifications

#### YANMAR 4TNE92 DIESEL ENGINE

Displacement : 2659 c.c.  
Rated H.P. : 47.2ps/2450 rpm  
Max torque : 14.7kg-m/1600 rpm



#### YANMAR 4TNE98 DIESEL ENGINE

Displacement : 3319 c.c.  
Rated H.P. : 60ps/2450 rpm  
Max torque : 18.2kg-m/1500 rpm

#### NISSAN K21 GASOLINE ENGINE

Displacement : 2065 c.c.  
Rated H.P. : 42.4ps/2250 rpm  
Max torque : 14.7kg-m/1600 rpm



#### NISSAN K25 GASOLINE ENGINE

Displacement : 2488 c.c.  
Rated H.P. : 50.9ps/2300 rpm  
Max torque : 17.8kg-m/1600 rpm

#### GM 3.0L LPG ENGINE

Displacement : 2966.59 c.c.  
Rated H.P. : 75ps/3000 rpm  
Max torque : 20.3kg-m/1600 rpm



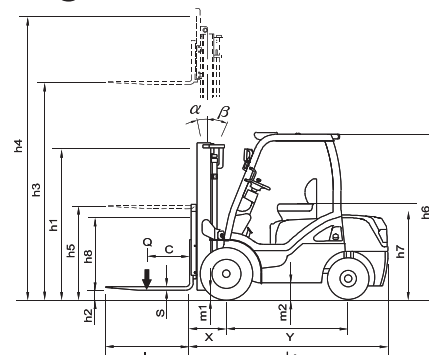
CHARACTERISTICS	1. Manufacturer		Stärke		Stärke		Stärke	
	2. Model	Manufacturer's designation	FD20	FG20	FD25	FG25	FD30	FG30
3. Capacity	Q Load	lb	4000		5000		6000	
4. Load center	C Distance	in	24		24		24	
5. Powr type	Diesel, Gasoline, LPG		Diesel	Gasoline	Diesel	Gasoline	Diesel	Gasoline
6. Control type	Sit		Sit		Sit		Sit	
7. Tire equipment	S=Solid, P=Pneumatic	front/rear	P / P		P / P		P / P	
8. Wheels (X:driven)	Number	front/rear	2X / 2		2X / 2		2X / 2	
DIMENSIONS	9. Lift	h3	118		118		118	
	10. Lift at 2-stage mast	h2 Standard free lift	0		0		0	
	11. Lift at 2-stage mast	h5 Optional free lift	1418(55.8)		1418(55.8)		1285(50.6)	
	12. Load bracket	h8 Height of load bracket	48		48		48	
	13. Fork size	Thickness (s)xWidth (e)xLength(l)	1.5x4.8x42.1		1.5x4.8x42.1		1.7x4.8x42.1	
	14. Mast tilting angle	Forward( $\alpha$ ) / Back( $\beta$ )	6° / 12°		6° / 12°		6° / 12°	
	15. L2	Length to face of forks	96.8		98.6		102.4	
	16. B	Total width (std/wide tread)	45.6/60.3		45.6/60.3		50.8/ 65.2	
	17. Overall dimensions	h1 Height mast lowered	78.7		78.7		78.7	
	18. Overall dimensions	h4 Height mast extended	166.1		166.1		166.1	
	19. Overall dimensions	h6 Overhead guard height	83.1		83.1		84.3	
	20. Overall dimensions	h7 Seat Height	44.9		44.9		49.4	
	21. Turning radius	R	85.4		88.6		95.1	
	22. Load distance	X From center of front axle	18.3		18.3		18.9	
	23. Aisle width	Ast for load 800x1200/1000x1200	143.1 / 151		146.3/ 154.1		153.3 / 161.2	
PERFORMANCE	24. Travel speed	With load(H/L)	10.6	11.2	10.6	10.6	10.6	10.6
	25. Travel speed	Without load(H/L)	11.2	11.8	11.2	11.2	11.2	11.2
	26. Lift speed	with/without load	98.5/106.3	104.4/118.1	94.5/106.3	98.4/118.1	82.7/106.3	80.7/88.6
	27. Lowering speed	with/without load	92.5/86.6	92.5/86.6	92.5/86.6	92.5/86.6	88.6/82.7	88.6/82.7
	28. Drawbar pull	With load/Without load	KN 14.9/11.7	14.8/11.7	14.1/13.2	13.7/11.7	18.3/13.3	18/14.1
	29. Gradeability	With load(H/L)	% 23	23	23	22	23	21
30. Gradeability	Without load(H/L)	% 20	20	19.5	19.5	18	18	
WEIGHT	31. Service weight		lb 7876	7700	3800	3720	4500	4420
	32. Axle loading	with load front / rear	lb 10384/1892	11274/1826	5470/830	5418/802	6520/980	6460/960
	33. Axle loading	without load front / rear	lb 3256/4620	3124/4576	1410/2390	1360/2360	1740/2760	16720/2750
WHEELS AND TIRES	34. Tires	Number front / rear	2 / 2		2 / 2		2 / 2	
	35. Tires	Size front rear	7.00-12-12P.R. 6.00-9-10P.R.		7.00-12-12P.R. 6.00-9-10P.R.		8.15-15-12P.R. 6.50-10-10P.R.	
	37. Wheel base	Y	in 61		61		65	
	38. Tread	Center of tires front(std/wide tread)/rear	in 38.2(52.9) / 38.8		970(1344) / 985		1055(1459) / 985	
	39. Ground clearance	With load m1 at lowest point	in 4.7		4.7		4.7	
	40. Ground clearance	m2 center of wheelbase	in 7.7		7.7		8.7	
41. Service brake	Mechanical / Hydraulic		Hydraulic		Hydraulic		Hydraulic	
42. Parking brake	Operation		Hand		Hand		Hand	
POWER	43. Transmission	Type	Powershift		Powershift		Powershift	
	44. Service pressure		psi 2631		2631		2631	

**Mast Specifications**

TYPE	LIFT	Notation Model	h4	h3	h1	h2/h5	$\alpha$	$\beta$
			2.0-3.5T	2.0-3.5T	2.0-3.5T	2.0-3.5T		
Lift at 2-stage mast	@ 118in		166.1	118.1	78.7	0	6°	12°
	130in		178.0	129.9	84.6	0		
	138in		185.8	137.8	88.6	0		
	157.5in		205.5	157.5	100.4	0		
2-stage Full free lift	@ 118in		166.1	118.1	78.7	58.7	6°	12°
	130in		178.0	129.9	84.6	65.0		
	138in		185.8	137.8	88.6	68.9		
Lift at 3-stage mast	@ 177in		225.2	177.2	82.7	58.7	6°	6°
	197in		244.9	196.9	88.6	65.0		
	216.5in		264.6	216.5	95.8	72.8		
	236in		284.3	236.2	104.3	78.7		

NOTE: Specifications are for reference only and are subject to change without notice.

\* "@" is standard model



$Ast = X + R + b + a$   
 $b = \text{Load Length}$   
 $a = \text{Clearance (200mm)}$

